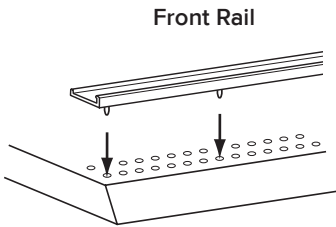
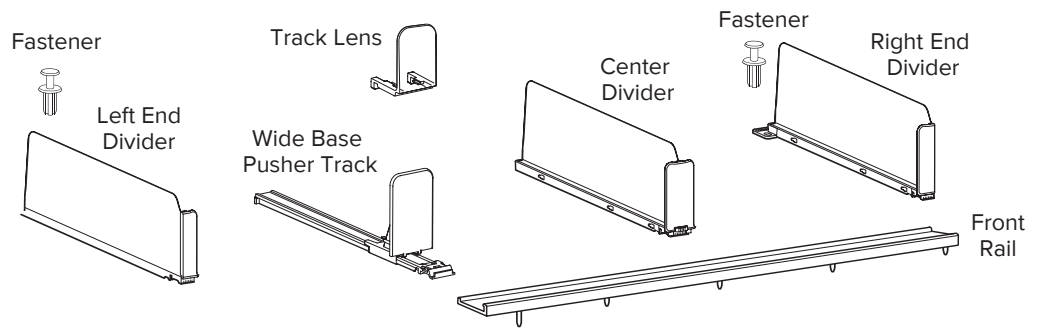
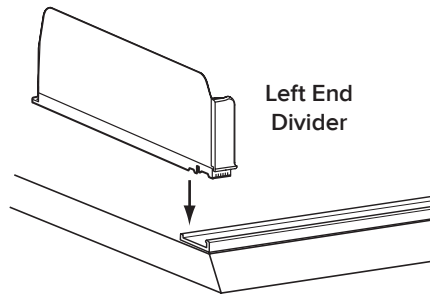


### GETTING STARTED:

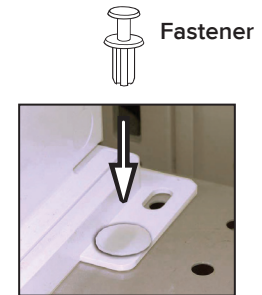
- Begin installation on the lowest shelf
- Always begin shelf set from the left



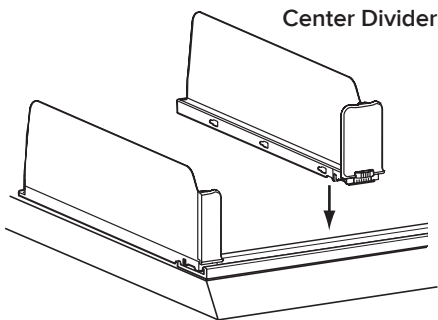
- ① Align Front Rail with shelf edge and insert pins into front set of shelf holes.



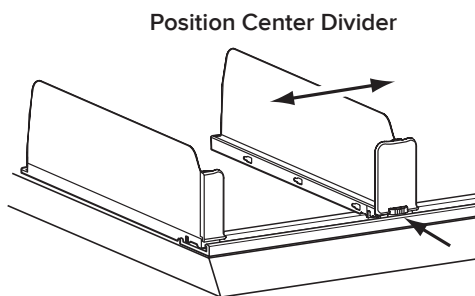
- ② Insert Left End Divider onto Front Rail.



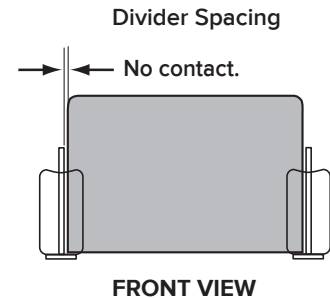
- ③ Insert Fastener into holes of Left End Divider and shelf.



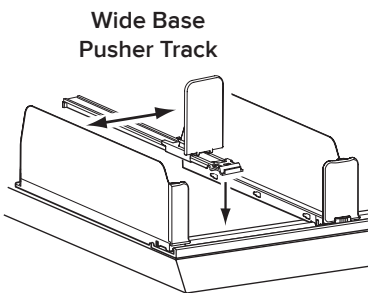
- ④ Insert Center Divider onto Front Rail.



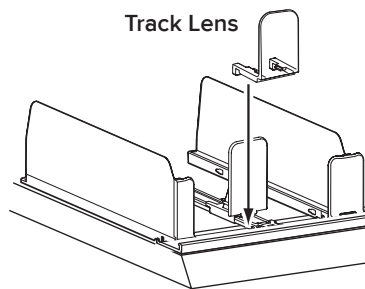
- ⑤ Push in button to slide Center Divider left to right.



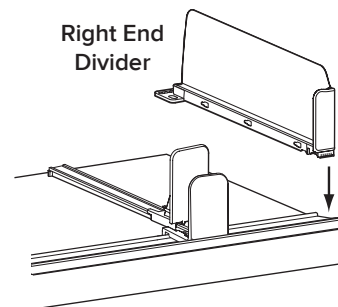
- ⑥ Minimum clearance on each side between product and divider.



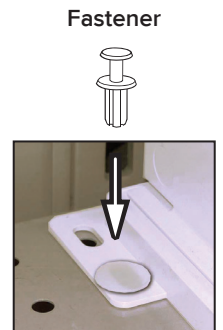
- ⑦ Place Track between Dividers. Push straight down on Paddle to clip into place. To adjust, slide Track left to right.



- ⑧ Insert Track Lens onto installed Wide Base Pusher Track (unless noted otherwise).



- ⑨ Insert Right End Divider onto Front Rail.



- ⑩ Insert Fastener into holes of Right End Divider and shelf.

20190311